

变更标记	日期	变更内容	签名	核准

Material & finish
SHELL:

steel
Zinc plated, Tin plated
or Nickel plated steel
PIN CONTACT:
Phosphor bronze or brass
Gold Plated
INSULATOR:
PBT & Glass-fibre reinforced

UL-94-V0

NUMBER OF CONTACT:

09 15 25 37

CURRENT RATING:

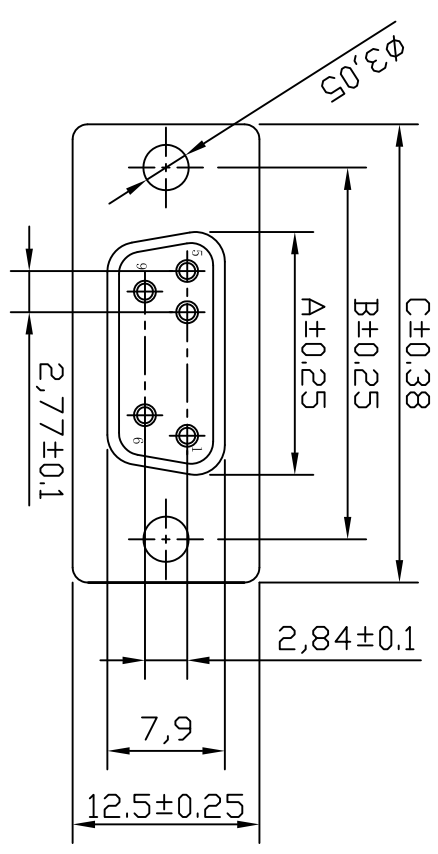
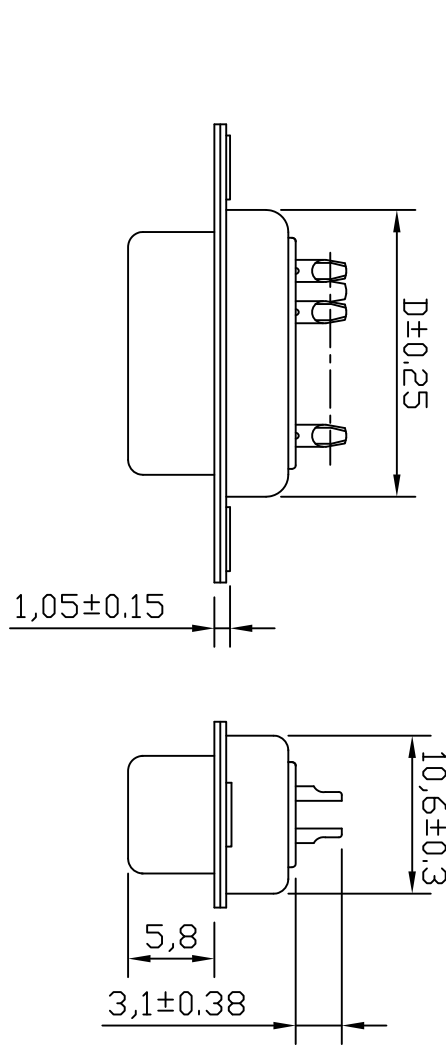
3Amp

INSULATOR RESISTANCE:

1000M Ω MIN.(at 500V DC)

TEMPERATURE:

-55°C to +105°C



	A	B	C	D
09	16.25	25.0	30.8	19.0
15	24.8	33.3	39.2	27.7
25	38.3	47.0	53.0	41.0
37	54.8	63.5	69.4	57.3

DB-X S X V X X X A 0 0

Pin: 09 15 25 37

COLOUR
B: Blue K: Black W: White 2: 661°C
blue 3: 235G Red 4: 322C green
6: 131C Yellow 7: Purple 235C

SHELL PLATING

A: Gold B: Front Gold and back Tin C: Front Nickel and
Back TIN N: Nickel T: Tin 5: Zinc D: CU/ZN/5N G: 304

Contact Finish

A: Gold Flash 3U" D: Gold Flash 5U" E: Gold Flash 15U"
F: Gold Flash 30U" G: Gold T: Tin

东莞扬顺五金电子有限公司
Dong Guan City Yang Shun Hardware Electron Co., Ltd

未注公差

X	±0.30
X.X	±0.20
X.XX	±0.10
X.XXX	±0.05
X. ^o ±2°	X.X ^o ±1°

设计 *Wuyongqian*
审核

品名规格 D-SUB传统母牌线式

料号	DB-xSxVxxxX00	型号	D-SUB 9-37Pin
日期	2010-7-20	图号	YS-11-0001
单位	mm	比例	1:1
版次		版次	A/0