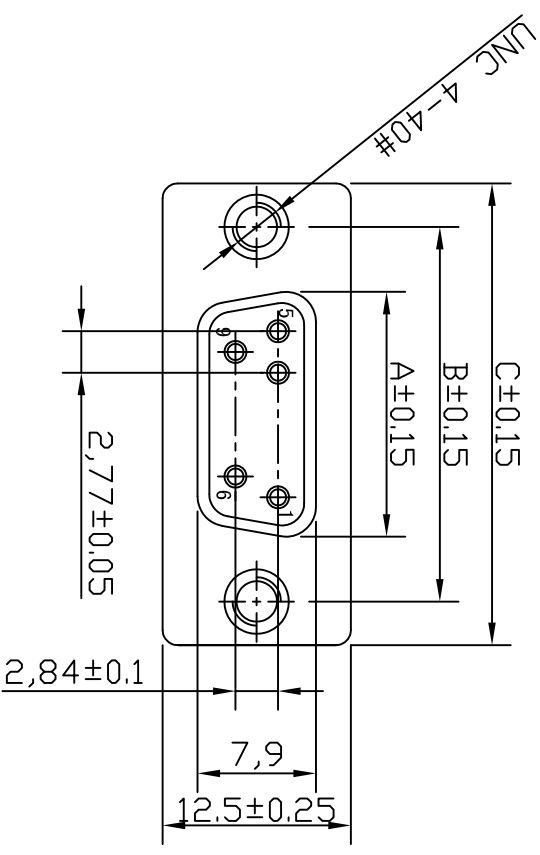
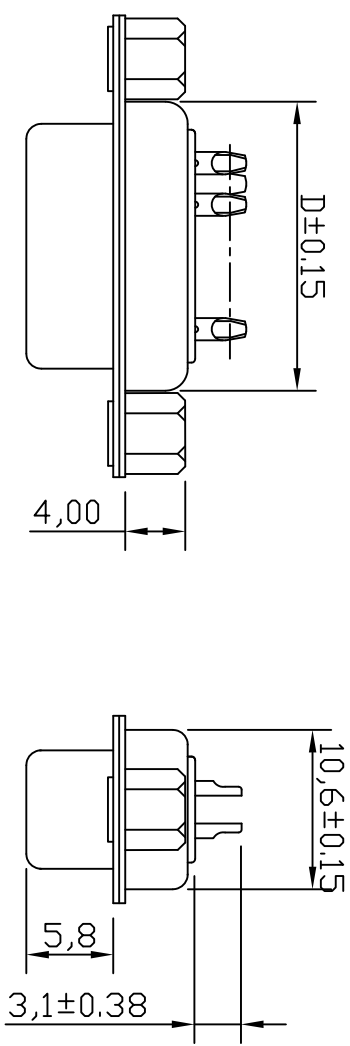


变更标记	日期	变更内容	签名	核准

Material & finish

SHELL:
steel
Zinc plated, Tin plated
or Nickel plated steel
PIN CONTACT:
Phosphor bronze or brass
Gold Plated
INSULATOR:
PBT & Glass-fibre reinforced
UL-94-V0
NUMBER OF CONTACT:
09 15 25 37
CURRENT RATING:
3Amp
INSULATOR RESISTANCE:
1000Mn MIN.(at 500V DC)
TEMPERATURE:
-55°C to +105°C



	A	B	C	D
09	16.25	25.0	30.8	19.0
15	24.8	33.3	39.2	27.7
25	38.3	47.0	53.0	41.0
37	54.8	63.5	69.4	57.3

DB-X S X V X X X B 0 0

Pin: 09 15 25 37
COLOUR
B: Blue K: Black W: White 2: 661C
blue 3: 235C Red 4: 322C green
6: 131GYellw

SHELL PLATING
A: Gold B: Front Gold and back Tin C: Front Nickel and
Back TIN N: Nickel T: Tin 5: Zinc D: CU/ZN/SN

Contact Finish
A: Gold Flash C: Gold Flash3U" D: Gold Flash5U" E: Gold Flash15U"
F: Gold Flash30U" 6: Gold T: Tin

东莞扬顺五金电子有限公司
Dong Guan City Yang Shun Hardware Electron Co.,Ltd

未注公差	设计	品名规格	D-SUB传统母后铆4.0六角通孔螺母焊线式	
X. ±0.30	审核	料号	DB-xS/Vxxx/B00	型号
X.X ±0.20	核准	日期	2012.09.03	图号
X.XX ±0.10	单位	mm		YS-11-0006
X.XXX ±0.05		比例	1:1	版次
X° ±2° XX°±1°				A/0