

变更标记	日期	变更内容	签名	核准

Material & finish
SHELL:
steel

Zinc plated, Tin plated
or Nickel plated steel

PIN CONTACT:
Phosphor bronze or brass

Gold Plated

INSULATOR:
PBT & Glass-fibre reinforced

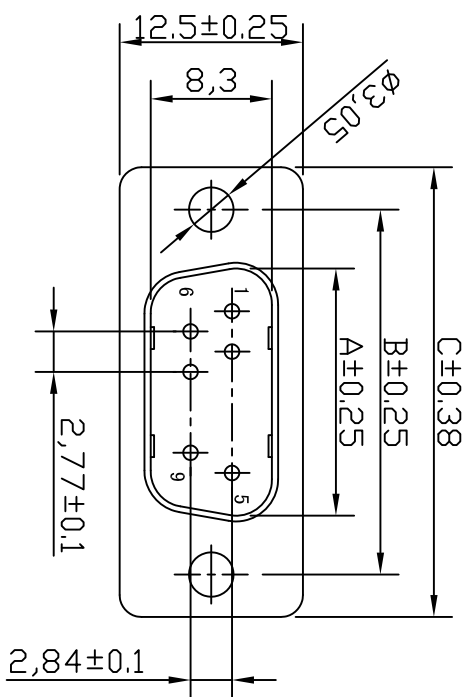
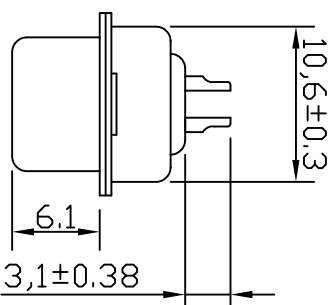
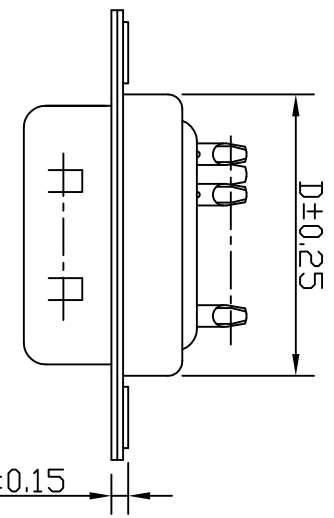
UL-94-V0

NUMBER OF CONTACT:
09 15 25 37

CURRENT RATING:
3amp

INSULATOR RESISTANCE:
1000Mh MIN.(at 500V DC)

TEMPERATURE:
-55°C to +105°C



	A	B	C	D
09	16.9	25.0	30.8	19.0
15	25.35	33.5	39.2	27.7
25	39.0	47.0	53.0	41.0
37	55.4	63.5	69.4	57.3


DB-X P X X X X X A 0 0

Pin:09 15 25 37

COLOUR
B: Blue K: Black W: White 2: 6610
blue 3: 235C Red 4: 322C green
6: 1310Yellw

SHELL PLATING
A: Gold B: Front Gold and back Tin C: Front Nickel and
Back TIN N: Nickel T: Tin 5: Zinc D: CU/ZN/SSN G: 304

Contact Finish
A: Gold Flash C: Gold Flash3U" D: Gold Flash5U" E: Gold Flash15U"
F: Gold Flash30U" G: Gold T: Tin


Dong Guan City Yang Shun Hardware Electron Co.,Ltd

未注公差

X.	±0.30
X.X	±0.20
X.XX	±0.10
X.XXX	±0.05
X.* ±2°	X.X° ±1°

设计 *lyyongqian*
审核

品名规格
D-SUB传统公牌线式

料号	DB-XPxxxxxA00	型号	D-SUB 9-37Pin
日期	2012.09.03	图号	YS-11-0013
单位	mm	比例	1:1
版本	1:1	版次	A/0