

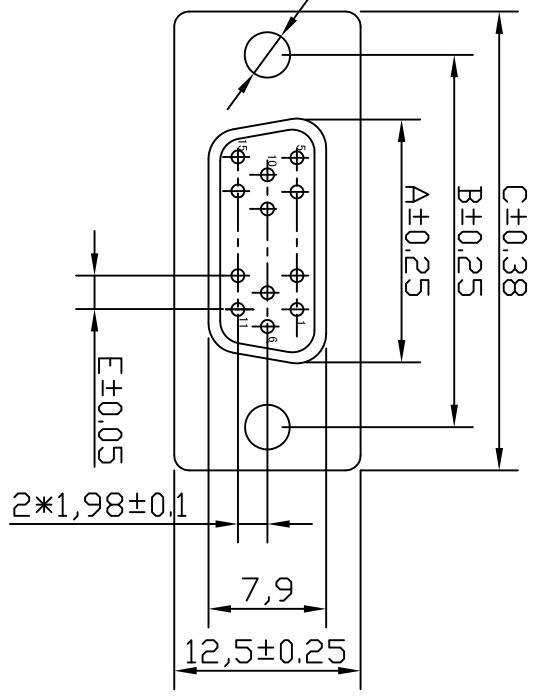
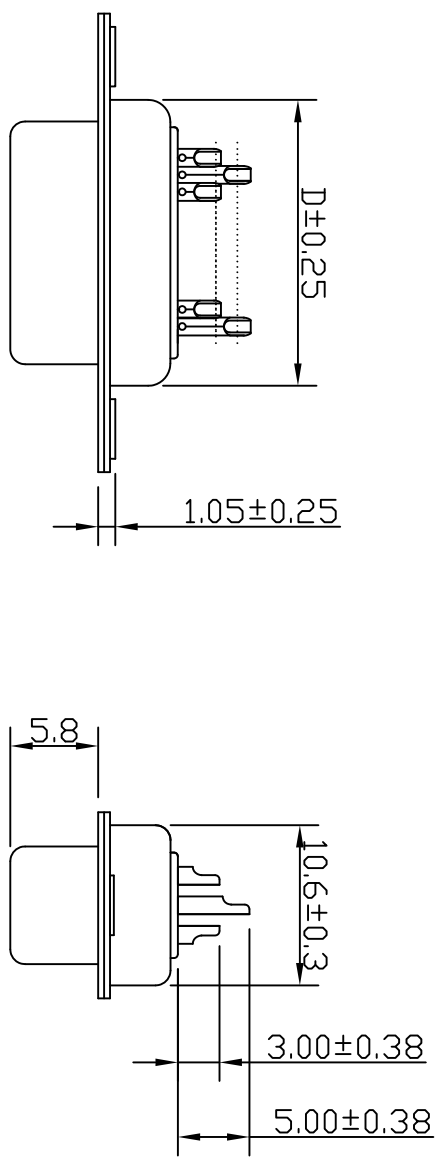
变更标记	日期	变更内容	签名	核准

Material & finish  
SHELL:

Zinc plated, Tin plated  
steel  
or Nickel plated steel  
PIN CONTACT:  
Phosphor bronze or brass  
Gold Plated  
INSULATOR:  
PBT & Glass-fibre reinforced

UL-94-V0  
NUMBER OF CONTACT:  
15 26 44 62  
CURRENT RATING:  
3Amp

INSULATOR RESISTANCE:  
1000Mh MIN.(at 500V DC)  
TEMPERATURE:  
-55°C to +105°C



	A	B	C	D	E
15	16.25	25.0	30.8	19.0	2.29
26	24.8	33.3	39.2	27.7	2.29
44	38.3	47.0	53.0	41.0	2.29
62	54.8	63.5	69.4	57.3	2.41

# HD-X S X V X X X A 0 0

Pin: 15 26 44 62  
COLOUR  
B: Blue K: Black W: White 2: 661C  
blue 3: 235C Red 4: 322C green  
6: 131C Yellow

SHELL PLATING  
A: Gold B: Front Gold and back Tin G: Front Nickel and  
Back TIN N: Nickel T: Tin 5: Zinc D: CU/ZN/5N

Contact Finish  
A: Gold Flash 3U" C: Gold Flash 3U" D: Gold Flash 5U" E: Gold Flash 15U"  
F: Gold Flash 30U" G: Gold T: Tin



东莞扬顺五金电子有限公司  
Dong Guan City Yang Shun Hardware Electron Co.,Ltd

未注公差	设计	雷永兴	品名规格	HD-传统母排线式	
X. ±0.30	审核		料号	HD-xSxVxxxA00	型号
XX ±0.20	核准		日期	2012.09.03	图号
XXX ±0.10	单位	mm	比例	1:1	图号
XXX ±0.05					YS-111-0022
X° ±2° X' ±1°					版次
					A/0