

变更标记	日期	变更内容	签名	核准

Material & finish

SHELL:

steel
Zinc plated, Tin plated
or Nickel plated steel
PIN CONTACT:
Phosphor bronze or brass
Gold Plated

INSULATOR:

PBT & Glass-fibre reinforced
UL-94-V0

NUMBER OF CONTACT:

09 15 25 37

CURRENT RATING:

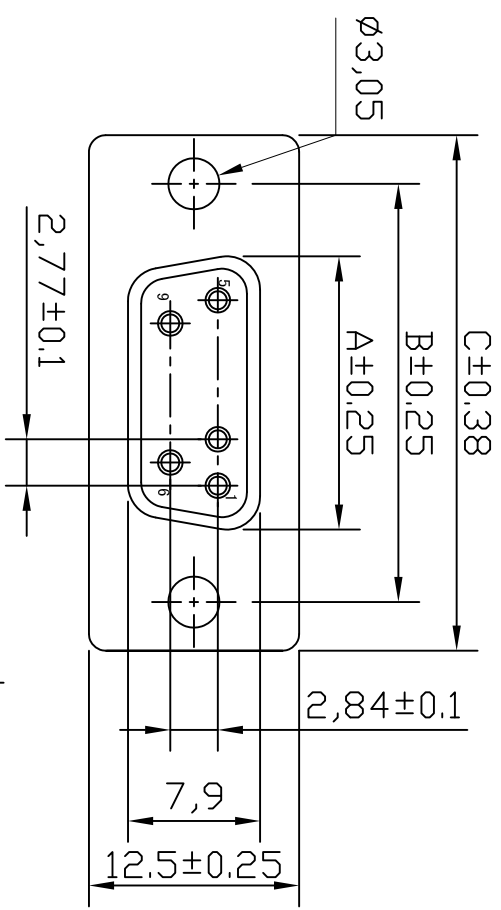
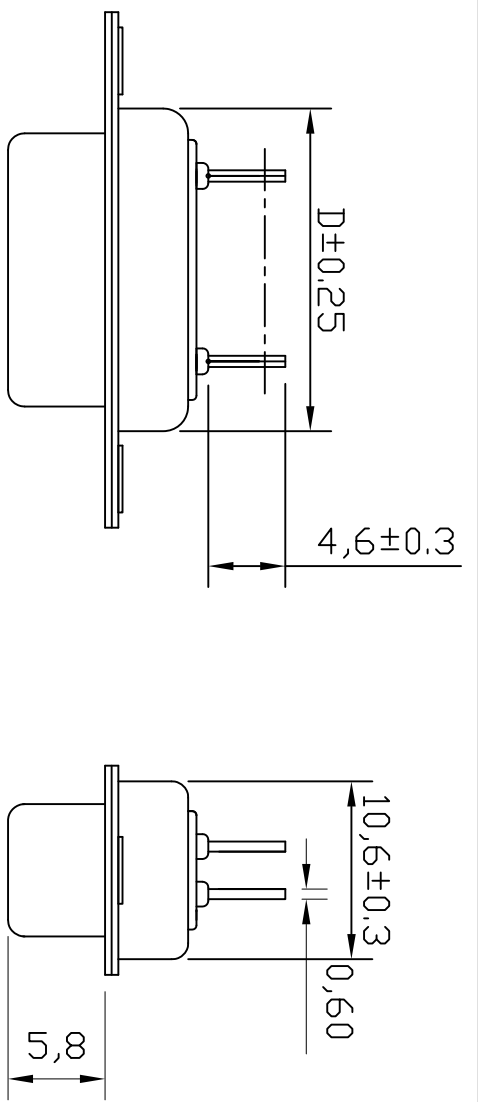
3Amp

INSULATOR RESISTANCE:

1000Mh MIN.(at 500V DC)

TEMPERATURE:

-55°C to +105°C



	A	B	C	D
09	16.25	25.0	30.8	19.0
15	24.8	33.3	39.2	27.7
25	38.3	47.0	53.0	41.0
37	54.8	63.5	69.4	57.3

DS1-x S x V x x A 0 0

Pin: 09 15 25 37

COLOUR
B: Blue K: Black W: White 2: 661C
blue 3: 235C Red 4: 322C green
6: 131CYellow

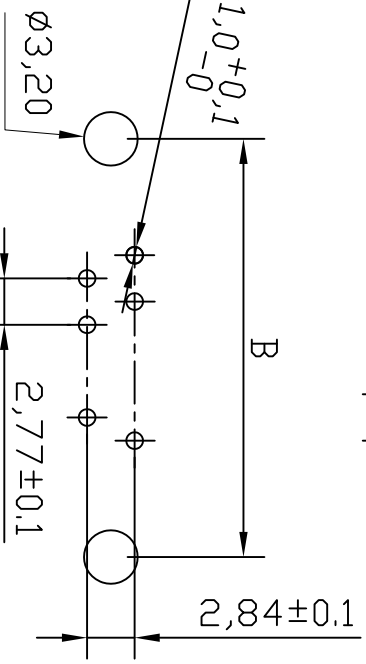
SHELL PLATING

A: Gold B: Front Gold and back Tin C: Front Nickel and
Back TIN N: Nickel T: Tin 5: Zinc D: CU/ZIN/SSN

Contact Finish

A: Gold Flash C: Gold Flash3U" D: Gold Flash5U" E: Gold Flash15U"
F: Gold Flash30U" 6: Gold T: Tin

PCB Lay out



东莞扬顺五金电子有限公司
Dong Guan City Yang Shun Hardware Electron Co.,Ltd

未注公差	设计	刘峰	品名规格	D-SUB 180度传统母插板式/4.6
X. ±0.30	审核	曹永兴	料号	DS1-xSxVxxxA00
XX ±0.20	核准		日期	2012.09.03
XXX ±0.10	单位	mm	图号	YS-11-0043
X.XXX ±0.05	比例	1:1	版次	A/0
X° ±2° XX° ±1°				