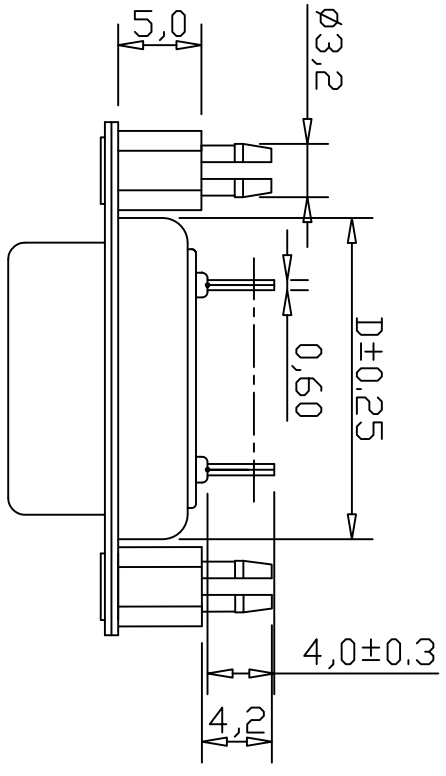
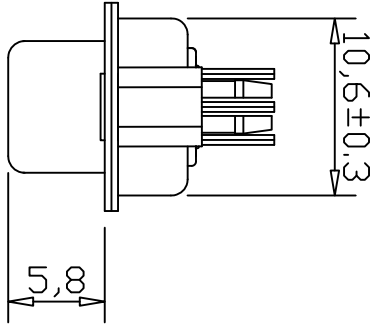


变更标记	日期	变更内容	签名	核准
------	----	------	----	----

Material & finish
SHELL:
steel
Zinc plated, Tin plated
or Nickel plated steel
PIN CONTACT:
Phosphor bronze or brass
Gold Plated
INSULATOR:
PBT & Glass-fibre reinforced
UL-94-V0
NUMBER OF CONTACT:
15 26 44 62
CURRENT RATING:
3Amp
INSULATOR RESISTANCE:
1000Mh MIN.(at 500V DC)
TEMPERATURE:
-55°C to +105°C



	A	B	C	D	E	F
15	16.25	25.0	30.8	19.0	2.29	7.04
26	24.8	33.3	39.2	27.7	2.29	6.88
44	38.3	47.0	53.0	41.0	2.29	6.88
62	54.8	63.5	69.4	57.3	2.41	7.00

HS1-X S X V X X X K 0 0

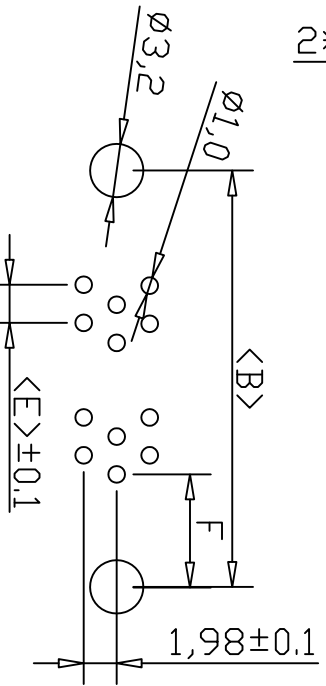
Pin:15 26 44 62

COLOUR
B: Blue K: Black W: White 2: 661G
Blue 3: 235C Red 4: 322C
6: 131C Yellow

SHELL PLATING
A: Gold B: Front Gold and back Tin C: Front Nickel and
Back TIN N: Nickel T: Tin 5: Zinc D: CU/ZIN/SSN

Contact Finish
A: Gold Flash G: Gold Flash3U D: Gold Flash5U E: Gold Flash15U
F: Gold Flash30U G: Gold T: Tin

PCB Lay out



东莞扬顺五金电子有限公司
Dong Guan City Yang Shun Hardware Electron Co.,Ltd

未注公差	设计 刘峰	品名规格	HD 180度传统母后5.0鱼叉不通孔
X. ±0.30	审核 雷永兴	料号	HS1-XS-VXXXXK00
X.X ±0.20		日期	2012.09.03
X.XX ±0.10		图号	YS-11-0054
X.XXX ±0.05		单位	mm
X° ±2° X.X° ±1°		比例	1:1
		版次	A/0