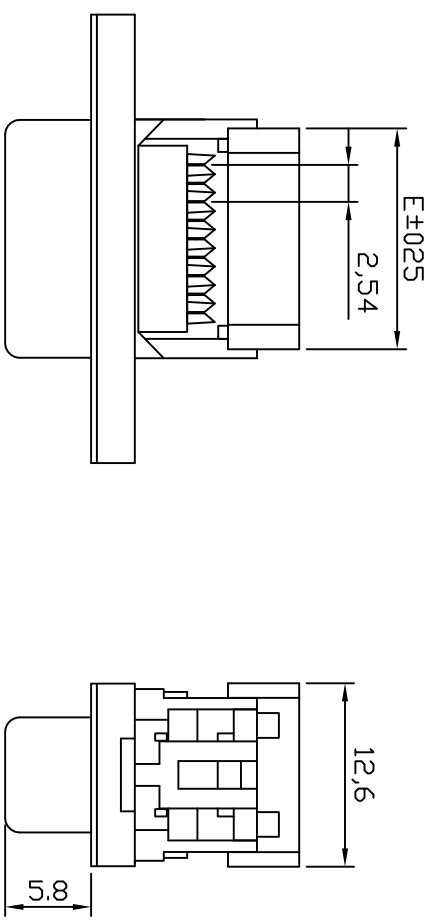


变更标记	日期	变更内容	签名	核准



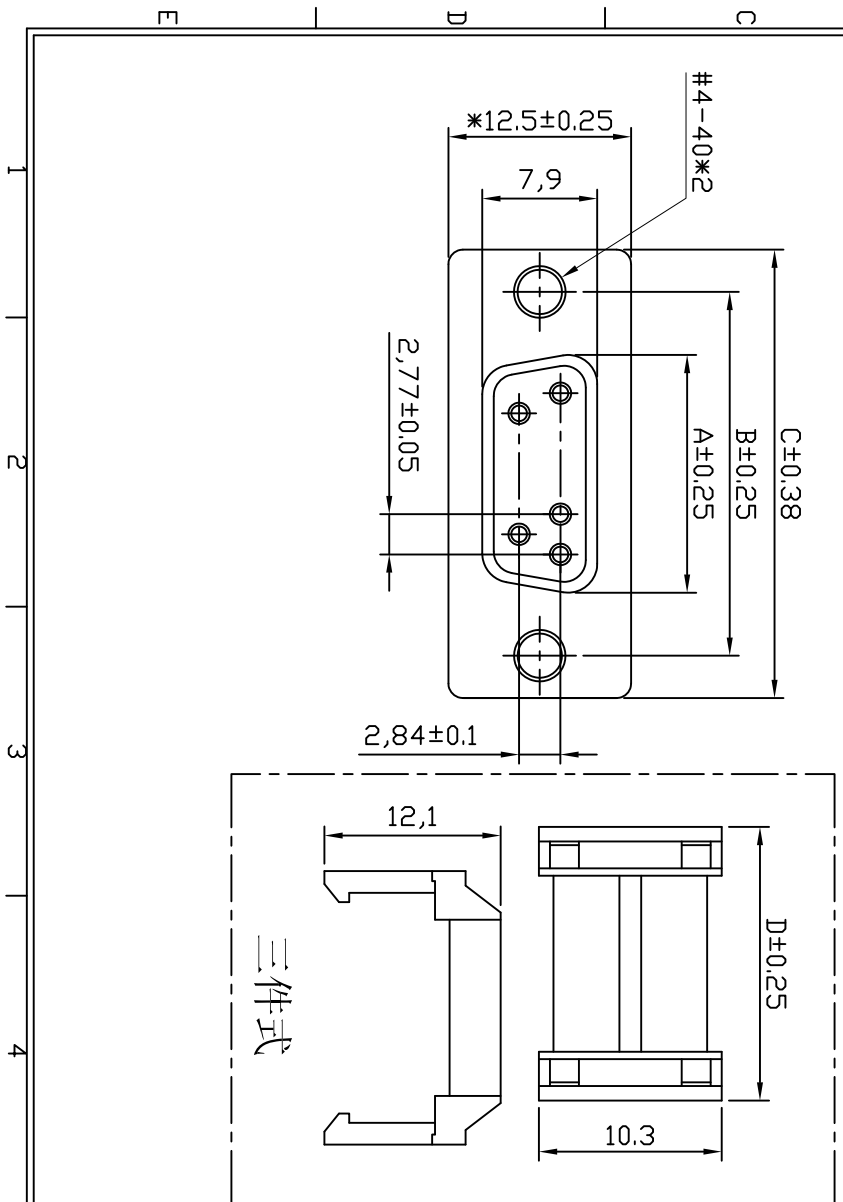
Material & finish  
SHELL:  
steel  
Zinc plated, Tin plated  
or Nickel plated steel  
INSULATOR:  
PBT & Glass-fibre reinforced  
UL-94-V0  
PIN CONTACT:  
Phosphor bronze Gold FLASH  
CURRENT RATING:  
1 Amp  
INSULATOR RESISTANCE:  
5000M MIN. (at 500V DC)  
TEMPERATURE:  
-55° C to +105° C

Positions	A	B	C	D	E
09	16.25	24.99	30.81	18.80	15.0
15	24.80	33.32	39.14	26.90	23.6
25	38.30	47.04	53.04	40.30	37.2
37	54.80	63.50	69.32	56.95	53.75

DF-X S X V X X B O A B

Pin: 09 15 25 37  
COLOUR  
B: Blue K: Black W: White 2: 661°C  
blue 3: 225°C Red 4: 322°C green  
5: 131°C Yellow 7: Grey

SHELL PLATING  
A: Gold N: Nickel T: Tin 5: Zinc  
Contact Finish  
A: Gold Flash G: Gold Flash 3U D: Gold Flash 15U E: Gold Flash 15U  
F: Gold Flash 30U G: Gold T: Tin



东莞扬顺五金电子有限公司  
Dong Guan City Yang Shun Hardware Electron Co., Ltd

未注公差		设计 刘峰		品名规格 D-SUB IDC Female	
X. ±0.30	审核	料号 DF-XSXXVXB0AB	型号	YS-11-0060	
XX ±0.25	核准	日期 2012.09.03	图号	A/0	
XXX ±0.15	单位 mm	比例 1:1	版次	A/0	
XXXX ±0.05					
X° ±3° X.X° ±1°					