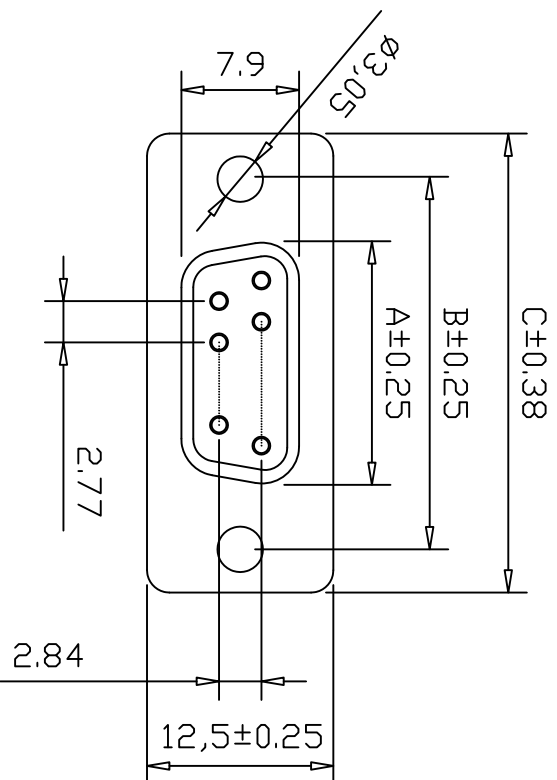
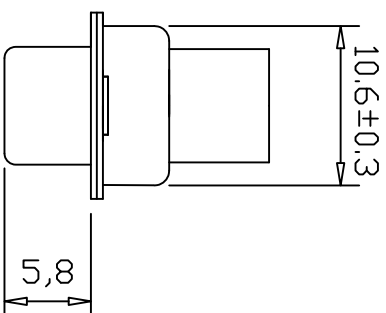
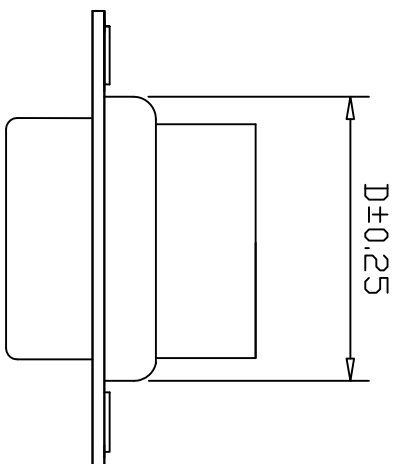


变更标记	日期	变更内容	签名	核准

Material & finish
 SHELL:
 steel
 Zinc plated, Tin plated
 or Nickel plated steel
 PIN CONTACT:
 Phosphor bronze or brass
 Gold Plated
 INSULATOR:
 PBT & Glass-fibre reinforced
 UL-94-V0
 NUMBER OF CONTACT:
 09 15 25 37
 CURRENT RATING:
 3Amp
 INSULATOR RESISTANCE:
 1000M Ω MIN.(at 500V DC)
 TEMPERATURE:
 -55°C to +105°C



	A	B	C	D
09	16.25	25.0	30.8	19.0
15	24.8	33.3	39.2	27.7
25	38.3	47.0	53.0	41.0
37	54.8	63.5	69.4	57.3

DH-X S x x 0 x x A 0 0

Pin: 09 15 25 37
 COLOUR
 B: Blue K: Black W: White 2:6610
 blue 3: 235C Red 4: 322C green
 6: 1310YellW

SHELL PLATING
 A: Gold B: Front Gold and back Tin C: Front Nickel and
 Back Tin N: Nickel T: Tin S: Zinc DCU/ZIN/SN



东莞扬顺五金电子有限公司
 Dong Guan City Yang Shun Hardware Electron Co., Ltd

未注公差		设计		品名规格	
X	±0.30	审核	<i>liuyongqian</i>	D-SUB CRIMP 传统母	
X.X	±0.20	核准		料号	DH-XSxx0xxA00
X.XX	±0.10	单位	mm	日期	2012.09.03
X.XXX	±0.05			图号	YS-11-0062
X. ±2° X.X° ±1°				比例	1:1
				版次	A/0